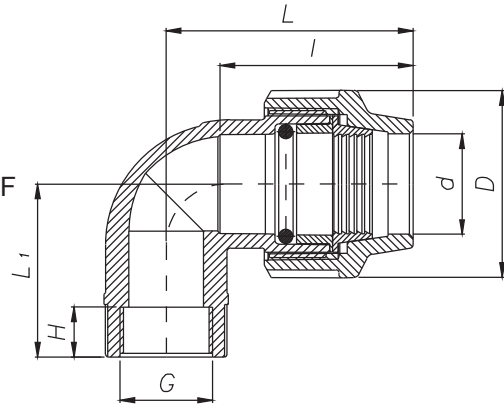


**COD. 1009**



90° ELBOW WITH THREADED FEMALE TAKE OFF  
90° WINKEL MIT INNENGEWINDE ABGANG  
КОЛЕНО 90° С ВНУТРЕННЕЙ РЕЗЬБОЙ

\*The threaded end is reinforced with a stainless steel ring  
\*Die Gewindeöffnung ist mit einem Ring aus rostfreiem Stahl verstärkt  
\*КОНЕЦ РЕЗЬБЫ УСИЛЕН КОЛЬЦОМ ИЗ НЕРЖАВЕЮЩЕЙ СТАЛИ



COD	dxG [mm x in]	D [mm]	I [mm]	H [mm]	L [mm]	L <sub>1</sub> [mm]	PN [bar]
1009016002001	16x <sup>1</sup> / <sub>2</sub> "	42	50	18	54	48	16
1009016003001	16x <sup>3</sup> / <sub>4</sub> "	42	50	18	54	48	16
1009020002001	20x <sup>1</sup> / <sub>2</sub> "	46	56	18	57	39	16
1009020003001	20x <sup>3</sup> / <sub>4</sub> "	46	56	18	57	40	16
1009025002001	25x <sup>1</sup> / <sub>2</sub> "	55	64	18	66	45	16
1009025003001	25x <sup>3</sup> / <sub>4</sub> "	55	64	18	66	46	16
1009025004001	25x1"	55	64	20	66	48	16
1009032002001	32x <sup>1</sup> / <sub>2</sub> "	63	68	17	75	48	16
1009032003001	32x <sup>3</sup> / <sub>4</sub> "	63	68	18	75	49	16
1009032004001	32x1"	63	68	21	75	51	16
1009032005001	*32x1 <sup>1</sup> / <sub>4</sub> "	63	68	26	75	56	16
1009040003001	40x <sup>3</sup> / <sub>4</sub> "	79	81	18	95	55	16
1009040004001	40x1"	79	81	21	95	59	16
1009040005001	*40x1 <sup>1</sup> / <sub>4</sub> "	79	81	25	95	64	16
1009040006001	*40x1 <sup>1</sup> / <sub>2</sub> "	79	81	25	95	63	16
1009050005001	*50x1 <sup>1</sup> / <sub>4</sub> "	96	103	24	110	85	16
1009050006001	*50x1 <sup>1</sup> / <sub>2</sub> "	96	103	27	110	92	16
1009050002001	*50x2"	96	103	27	110	88	16
1009064006001	*63x1 <sup>1</sup> / <sub>2</sub> "	115	135	27	170	108	16
1009064007001	*63x2"	115	135	36	170	110	16
1009064008001	*63x2 <sup>1</sup> / <sub>2</sub> "	115	135	35	170	112	16
1009076007001	*75x2"	129	143	36	157	123	16
1009076008001	*75x2 <sup>1</sup> / <sub>2</sub> "	129	143	37	157	125	16
1009076009001	*75x3"	129	143	38	157	129	16
1009091009001	*90x3"	155	158	40	169	140	16
1009091010001	*90x4"	155	158	40	169	142	16
1009111009001	*110x3"	183	211	40	223	134	16
1009111010001	*110x4"	183	211	40	223	138	16